

# Horizen 24

High performance nitrogen generator for Single Quad LC-MS



SCIENTIFIC

Your local **gas generation** partner

## Description

Bringing Single Quad LC-MS users the very latest in nitrogen gas generator technology, Horizen 24 is the culmination of over 25 years at the forefront of nitrogen gas generation for the lab from Peak Scientific.

Designed to provide a premium, yet cost effective nitrogen solution, Horizen 24 has incorporated state of the art compressor technology to efficiently manage power consumption reducing energy costs and heat output without compromising on performance.

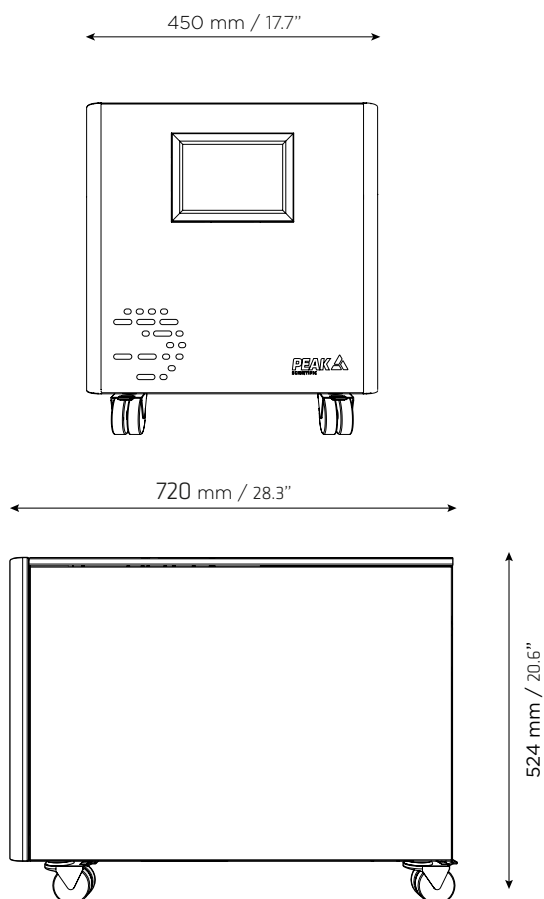
As a standalone solution delivering 24 liters per minute of high purity nitrogen, up to 99.9%, from a compact footprint, Horizen 24 provides labs peace of mind and confidence in their LC-MS results.



## Applications

On-demand nitrogen source for:

- LC-MS
- ELSD
- Small sample evaporators
- Other laboratory applications requiring nitrogen



## Key Features

- The most energy efficient nitrogen generator on the market
- Up to 24LPM of ultra- dry, non-methane hydrocarbon free nitrogen at up to 99.9% purity and 116psi
- 55% less energy, saving power consumption\*
- >50% less heat, reducing your air conditioning cost\*
- The smallest nitrogen generator in its class, fitting easily under any lab bench
- Minimized operational carbon footprint compared with cylinders and equivalent generator models
- Convenient fixed annual service interval on all parts

\* Benchmarked against equivalent competitor

## Technical Specifications

	Horizen 24
Max Flow Rate	up to 24 L/min
Max Pressure	100-116 psi (6.8-8 bar)
Gas Outlets	1 x 1/4" BSPP
Purity**	up to 99.9% (95% at 24LPM)
Max Relative Humidity	80% RH
Max Altitude	3000m
Particles	< 0.01 µm
Phthalates	Phthalate & BHT Free
Suspended Liquids	None
Non-Methane Hydrocarbon Content	< 1 ppm NMHC
Operating Temperature	5°C (41°F) to 35°C (95°F)
Electrical Requirements	100 - 240V ±10%, 50/60Hz, 6.4 - 2.9A
Power Consumption (Max measured @100psi)	230V - max 559W / 120V - max 625W / 100V- max 636W
Heat Output (Max measured @100psi)	230V - 1907 BTU/hr / 120V 2132 BTU/hr / 100V- 2172 BTU/hr
Noise Level†	59dB(A) @1m
Generator Dimensions (H x W x D)	524 x 450 x 719 mm 20.6 x 17.7 x 28.3 "
Generator Weight	59 kg / 130 lbs

## Ordering Information

Part Number	3304532
Annual Service	
Complete Maintenance Plan	

\*\* Factory certified purity with respect to O2 content. Actual purity varies in relation to flow (min. 95% at maximum flow output)

† Noise level expressed as SPL (Sound Pressure Level) measured at 1m from source frontal in a reverberant chamber

## [PEAK Protected]™

Peak Scientific gas generators define the benchmark in reliability, convenience and performance in laboratories around the world, and come backed by a 2 year warranty\*. Beyond this period however you can ensure that your investment continues to be **[Protected]** by our comprehensive generator care cover.

Our world-class aftercare support packages deliver a program of scheduled preventative maintenance whilst giving you the reassurance of instant access to worldwide technical support and priority on-site response in the untimely event of a breakdown.

**\*Year 2 of warranty subject to generator being serviced at end of year 1 by a Peak-approved agent in accordance with fixed annual maintenance schedule. For full terms and conditions visit [www.peakscientific.com/warranty-statement](http://www.peakscientific.com/warranty-statement)**

Peak Scientific's Quality Management System conforms to:  
ISO 9001:2015



FM 515973

## Product Certifications





# WolfLabs

**Pricing on any accessories shown can be found by keying the part number into the search box on our website.**

The specifications listed in this brochure are subject to change by the manufacturer and therefore cannot be guaranteed to be correct. If there are aspects of the specification that must be guaranteed, please provide these to our sales team so that details can be confirmed.

**[www.wolflabs.co.uk](http://www.wolflabs.co.uk)**

**Tel : 01759 301142**

**Fax : 01759 301143**

**[sales@wolflabs.co.uk](mailto:sales@wolflabs.co.uk)**

Please contact us if this literature doesn't answer all your questions.